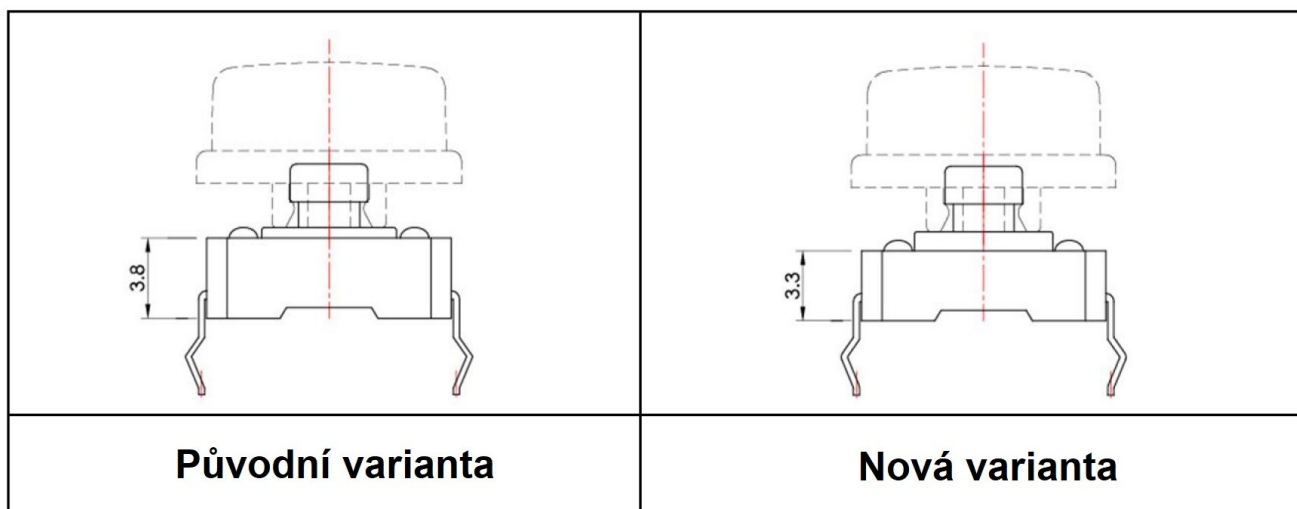


## Změna výšky pouzdra u tlačítka spínacího do DPS typu 1273HIM-160G-G

Výrobce Switronic oznámil výše uvedenou změnu.

Důvodem změny je podle výrobce: Zabránění dotyku hmatníku s kovovým krytem na horní straně pouzdra tlačítka.

Výška pouzdra tlačítka se změnila z původní výšky 3.8mm na nově 3.3mm.



Tato změna je platná od 1. července 2020.




### Odkazy:

Stránky výrobce: <http://www.switronic.com/>

Stránky českého distributora: <https://www.ecom.cz/>

一 綺 電 子 企 業 股 份 有 限 公 司  
 SWITRONIC INDUSTRIAL CORP.  
Engineering Notification

版本：V2.3

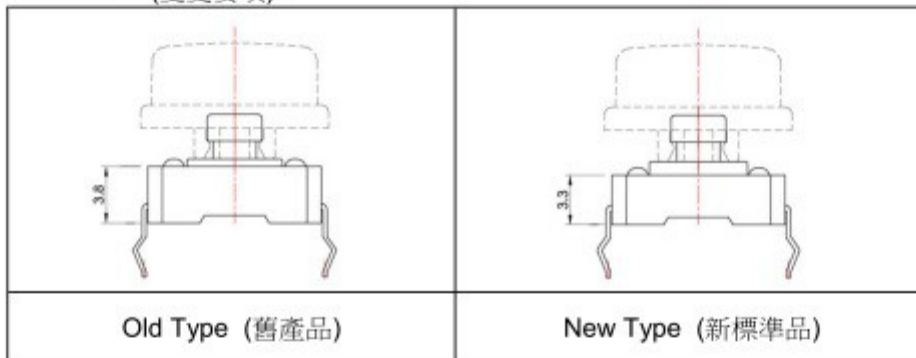
Department	Engineering Dept.	Engineer	Supervisor	Approved
Date	2020.10.22			
Engineer	Allan Wang			
BPM No.	SA45_109102111			
Model No.	1273HIM-160G-G			

1. Cause (變更原因) :

Due to prevent the cap touch the metal cover and affect the travel, so we made tooling improvement this year 2020.

2020年度模具修整，避免帽蓋接觸到金屬表面影響行程。

2. Revision (變更要項) :



(1) Change of the case size : From “3.8mm” to “3.3mm” .

本體尺寸變更：從“3.8mm”更改為“3.3mm”。

3. Switronic Effective Date (一綺變更起始日期) :

Effectived from Jul. 01, 2020

自 2020.07.01 起變更生效。

4. Quality Guarantee (品質保證) :

The function, soldering status and quality will be exactly the same as before.

我們保證其功能、焊接能力和品質和以前相同。

**Výkres k původní variantě tlačítka spínacího typu 1273HIM-160G-G**

版本：V2.2

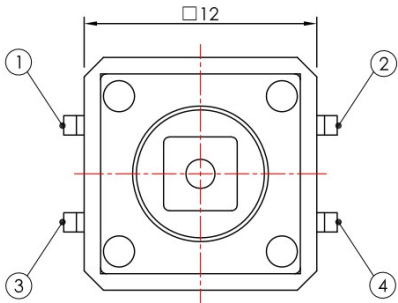
\*開關產品未經SWITRONIC同意，請勿拆解，否則無法負責品質及安全責任。

Please do not decompose the switch without any permission from SWITRONIC, otherwise the quality and safety responsibility could not be guaranteed.

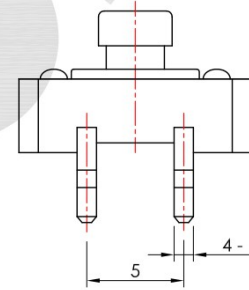
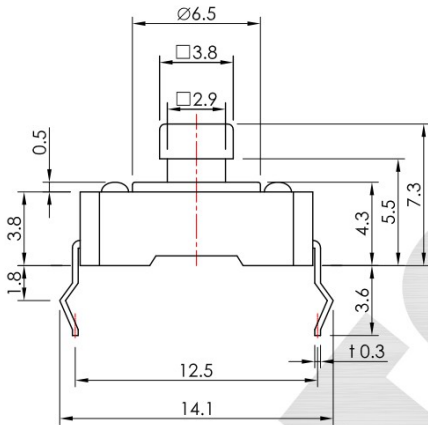
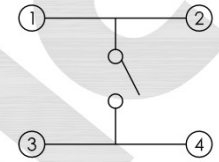
\*本圖面若與目錄之規格尺寸不符，以本圖面規格尺寸為主。

Below is our main specification if different from catalog.

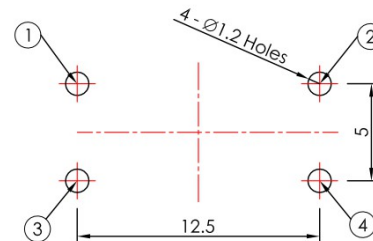
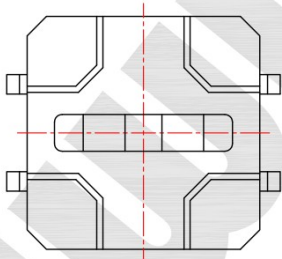
RoHS compliant



CIRCUIT DIAGRAM



P.C.B. LAYOUT



**SPECIFICATION**

- Rating: 50mA 12V DC Max.
- Circuit: SPST.
- Travel: 0.3±0.15mm.
- Contact resistance: 100mΩ Max.(initial)
- Operating force: 160±50g.
- Minimum load: 10μA 2V DC. (reference only)
- Life: 100,000 Cycles Min.
- Soldering temperature: 250°C Max. for 3 sec.
- Soldering time: 1 time only.

- Note1: Unwashable, don't be immersed by epoxy and organic solvent.
- Note2: Please check the actual size, do not scale the drawing page.
- Note3: Please fill the bag and add a desiccant seal to avoid product oxidation, when open the seal of S/W packing.

RoHS compliant

1273HIM-XXXG-G

OPERATING FORCE  
160, 250



CV3.1	無	改版	2015.04.14
CV3.0	無	新繪製	2008.10.21
版本 VER.	符號 SYMBOL	修改內容 ALTERATION	更新日期 DATE

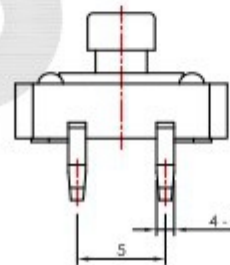
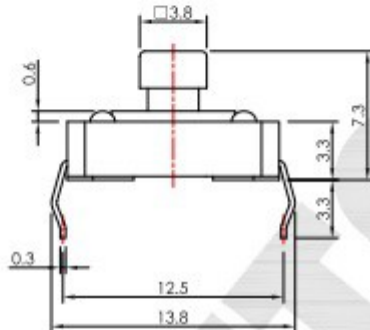
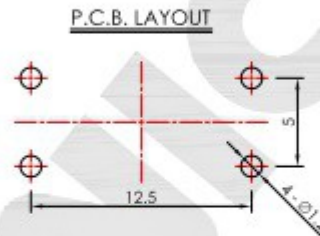
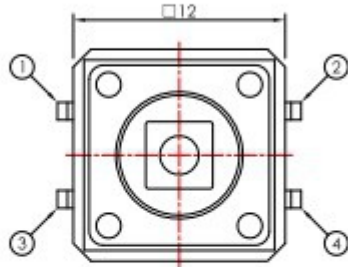
產品 PRODUCT		Tact Switch		型號 MODEL NO.		1273HIM-160G-G	
比例 SCALE	3 : 1	單位 UNIT	mm				
公差 TOLERANCE	.X=±0.3mm, .XX=±0.2mm						
製圖 DRAWN BY	核圖 CHECKED BY	主管 APPROVED BY					
Peter Kuo	Chuck Young	Margaret Lee					
				一綺電子企業股份有限公司 總公司：110 台北市信義路四段415號13樓之3 13F-3 NO. 415, SEC. 4, HSIN YI ROAD, TAIPEI, TAIWAN TEL : 886-2-27290229(Rep.) FAX : 886-2-27582086 URL : http://www.switronic.com E-MAIL : switches@ms36.hinet.net			

Výkres k nové variantě tlačítka spínacího typu 1273HIM-160G-G

版本：V2.3

\*開關產品未經SWITRONIC同意，請勿拆解，否則無法負責品質及安全責任。  
Please do not decompose the switch without any permission from SWITRONIC, otherwise the quality and safety responsibility could not be guaranteed.  
\*本圖面若與目錄之規格尺寸不符，以本圖面規格尺寸為主。  
Below is our main specification if different from catalog.

RoHS compliant



SCHMATIC



RoHS compliant

1273HIM-XXXG-G

OPERATING FORCE  
160, 250



SPECIFICATION

Rating: 50mA 12V DC.  
Function: OFF(ON).  
Travel: 0.3±0.15mm.  
Contact resistance: 100mΩ Max.(initial)  
Operating force: 160±50g.  
Minimum load: 10mA 12V DC.  
Life: 100,000 Cycles.  
Soldering temperature: 250°C Max. for 3 seconds.  
Soldering time: 1 time only.  
Note1: Unwashable, don't be immersed by epoxy and organic solvent.  
Note2: Please do not scale the drawing comparing to real product and kindly measure the size of real product.

STORAGE METHOD

After opening the bag of the switches, please include a desiccant into the bag, then seal it to avoid product oxidation.

打開包裝袋後，請在袋中加入乾燥劑並「密封」，避免產品氧化。

CSV3.0	無	新增製	2019.10.16
版本 VER	符號 SYMBOL	修改內容 ALTERATION	更新日期 DATE

產品 PRODUCT		Tact Switch		型號 MODEL NO.	1273HIM-160G-G
比例 SCALE	3:1	單位 UNIT	mm		
公差 TOLERANCE	.X=±0.3mm, .XX=±0.2mm				
製圖 DRAWN BY	核圖 CHECKED BY	主管 APPROVED BY			
Eddie Chien	Chuck Young	Margaret Lee			
一綺電子企業股份有限公司 總公司：110 台北市信義路四段415號13樓之3 13F-S, NO.415, SEC.4, HSIIN YI ROAD, TAIPEI, TAIWAN TEL: 886-2-27292229(Rep.) FAX: 886-2-27582088 URL: www.switronico.com E-MAIL: switchoe@ms98.hinet.net					